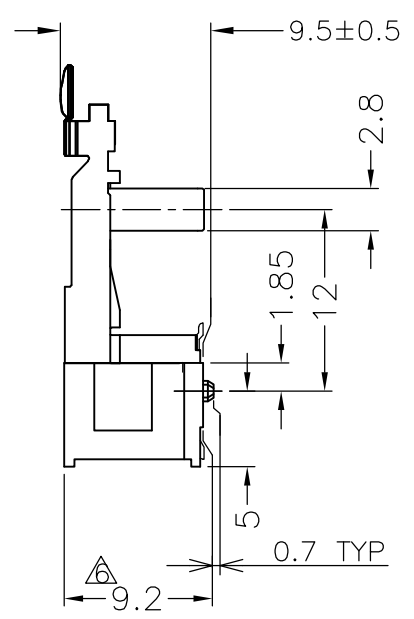
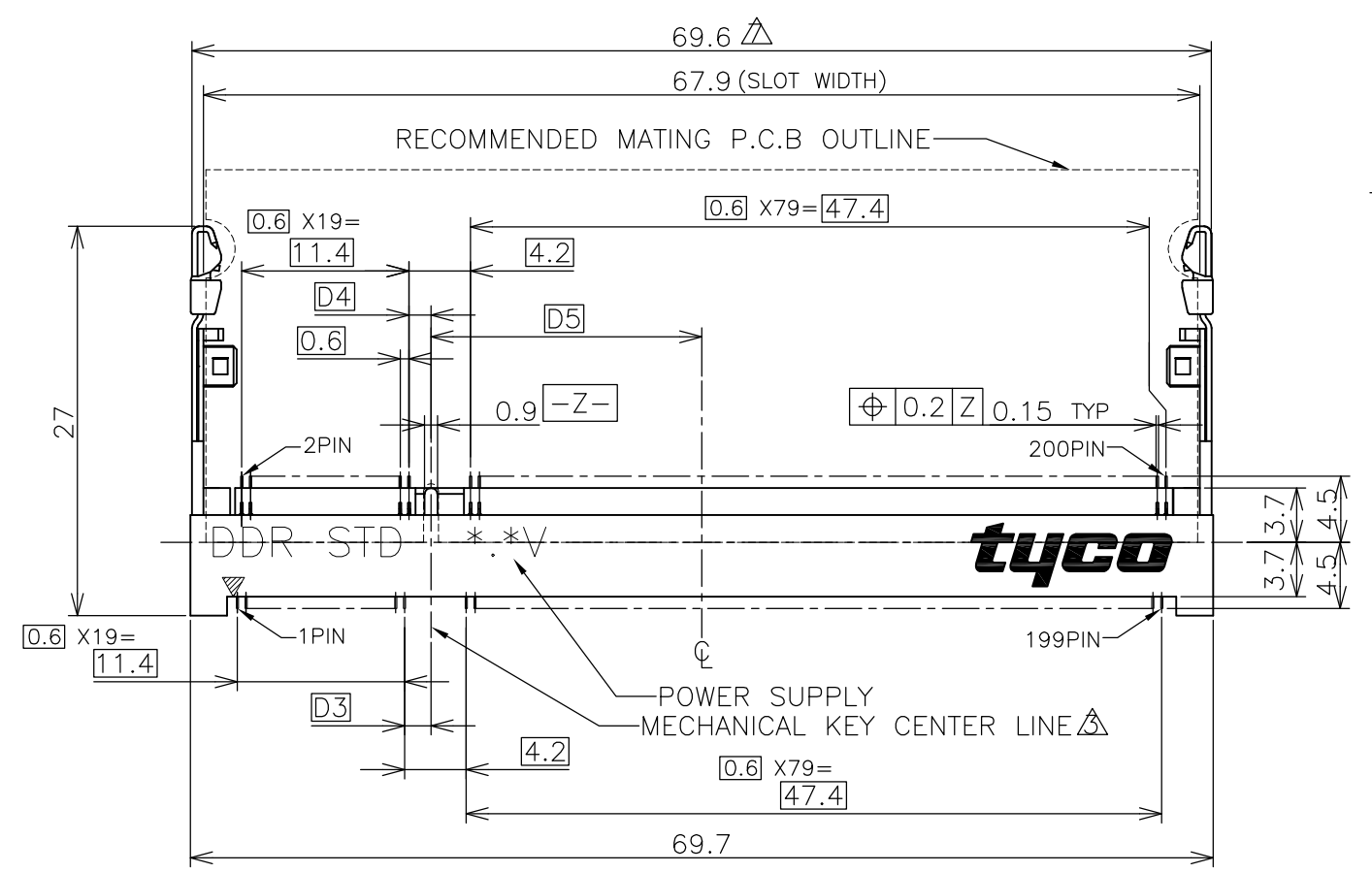
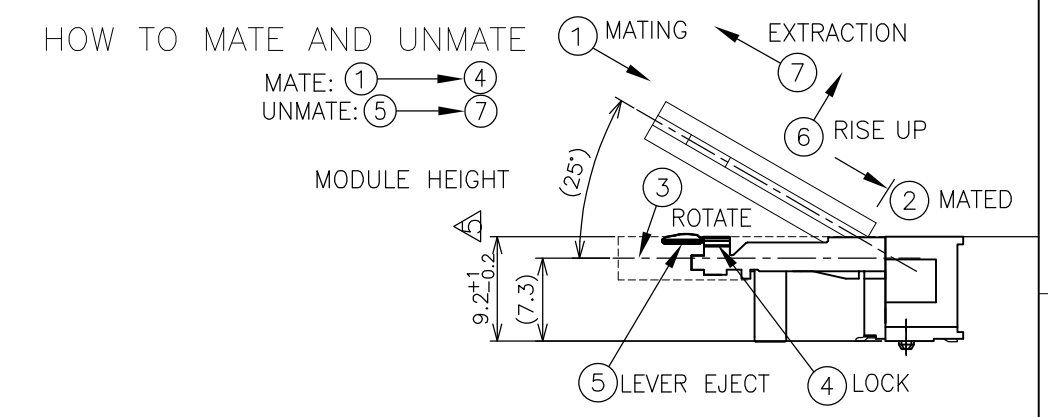
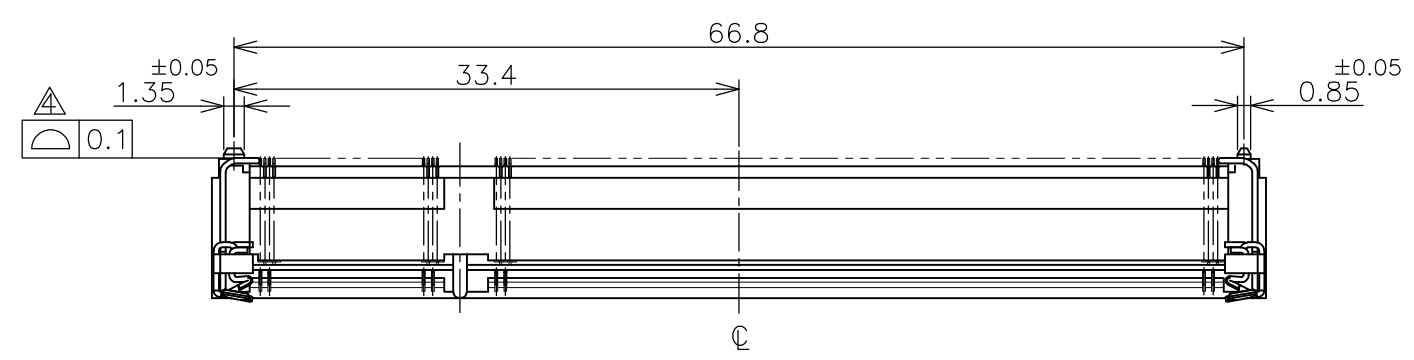


THIS DRAWING IS UNPUBLISHED. RELEASED FOR PUBLICATION MAR ,2007.
 © COPYRIGHT 2007 BY TYCO ELECTRONICS CORPORATION. ALL RIGHTS RESERVED.

LOC	DIST	REVISIONS			
P	LTR	DESCRIPTION	DATE	DWN	APVD
J		B	REVISED PER ECR-07-016171	10JUL07	SA.Y S.Y



- (APPLIED TO SHEET 1-2)
- MATERIAL ; HOUSING: HIGH TEMPERATURE THERMO PLASTIC UL94V-0
CONTACT: COPPER ARROY
LOCK LEVER: STAINLESS STEEL
 - FINISH ; CONTACT AREA: GOLD PLATING ON ALL OVER NICKEL.
SOLDERING AREA: GOLD FLASH PLT.
LOCK LEVER: TIN PLATING.
- ⊕ MECHANICAL KEY POSITION OF CONNECTOR SEE TABLE.
 - ⊕ COPLANARITY : 0.1 MAX.
 - ⊕ THE FLOATING VALUE BY SOLDERING IS NOT INCLUDED.
 - ⊕ NOT MATING CONDITION.
 - ⊕ IN CASE OF MODULE BOARD LOCK AND EJECT, LATCH MAXIMUM WIDTH: 75mm.
 - ⊕ TOLERANCES NON-CUMULATIVE.
 - ⊕ CARD GUIDE AND STRUT COMPONENT KEEP-OUT ZONE.
 - ⊕ [] INSIDE MUST BE RESIST COAT EXCEPT SOLDER PATTERN.

1.8V (DDR2)	17.55	2.4	2.7	200	1981284-4
POWER SUPPLY (TYPE)	D5	D4	D3	POS	PART NO.
DWN LEO ZHOU 07MAR07	Tyco Electronics Corporation Kawasaki, Japan				
CHK T.FUMIKURA 07MAR07	NAME				
APVD K.IKEGAMI 07MAR07	DDR SODIMM SOCKET 0.6mm PITCH 200POS				
PRODUCT SPEC	9.2H STD TYPE				
APPLICATION SPEC	TO FIT AMC APPLICATIONS				
108-5701	SIZE	CAGE CODE	DRAWING NO	RESTRICTED TO	
WEIGHT 8.3g	A3		C-1981284		
CUSTOMER DRAWING			SCALE 2:1	SHEET 1 OF 4	REV B

THIS DRAWING IS A CONTROLLED DOCUMENT.

DIMENSIONS: MM	TOLERANCES UNLESS OTHERWISE SPECIFIED:
	0 PLC ± -
	1 PLC ± -
	2 PLC ± -
	3 PLC ± -
	4 PLC ± -
	ANGLES ± -
MATERIAL	FINISH ± -

GENERAL TOLERANCE
 10 ≥ : ±0.2
 30 ≥ > 10: ±0.3
 100 ≥ > 30: ±0.5
 ANGLES: ±3'

THIS DRAWING IS UNPUBLISHED.

RELEASED FOR PUBLICATION

MAR ,2007.

© COPYRIGHT 2007

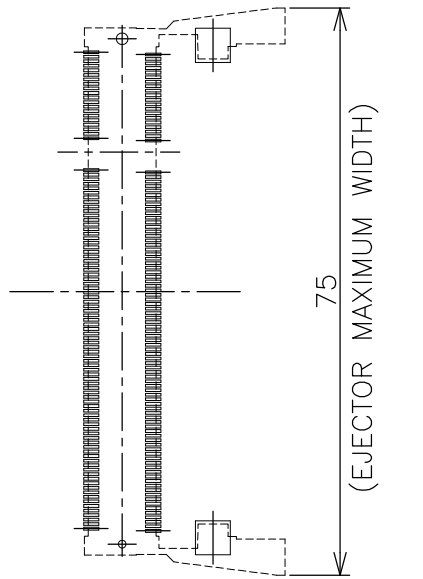
BY TYCO ELECTRONICS CORPORATION.

ALL RIGHTS RESERVED.

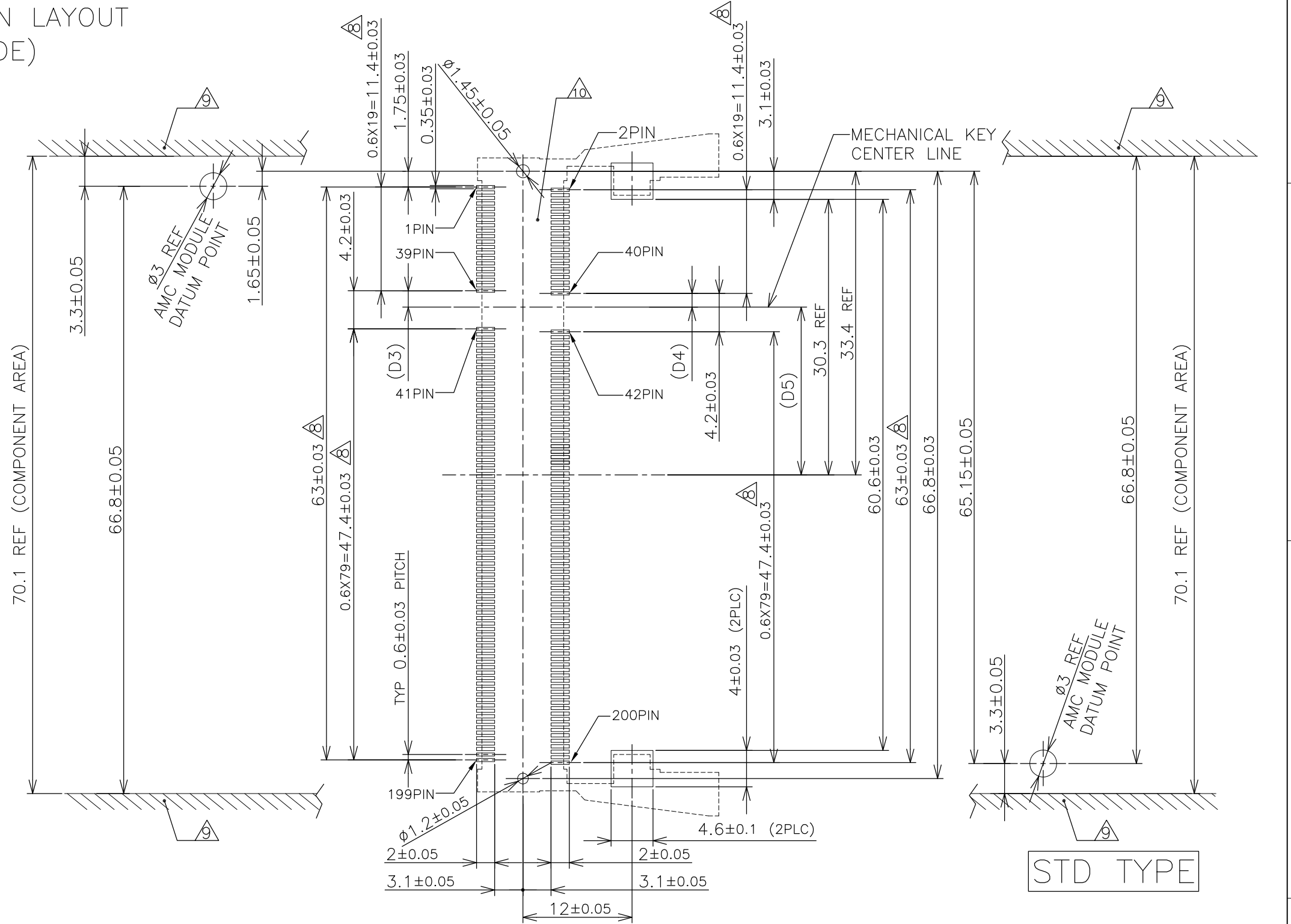
LOC	DIST
J	

REVISIONS				DATE	DWN	APVD
P	LTR	DESCRIPTION				
		SEE SHEET 1				

REFERENCE P.C. BOARD PATTERN LAYOUT (CONNECTOR MOUNTING SIDE)



REAL SIZE (SCALE 1:1)

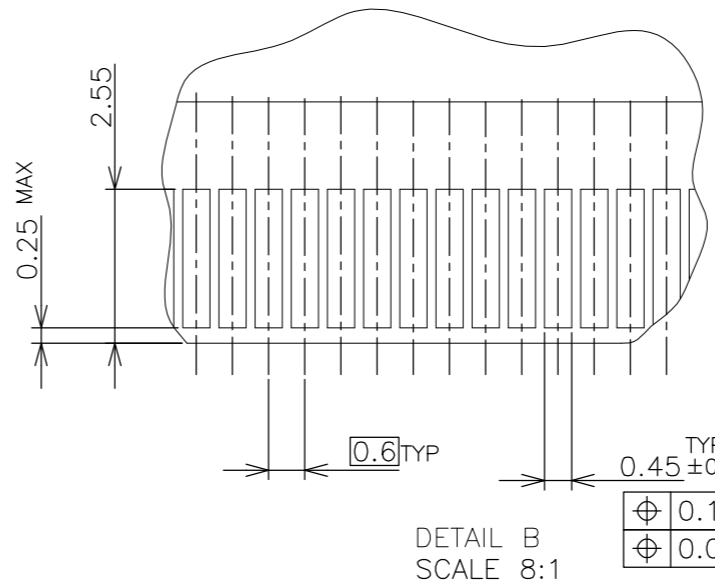
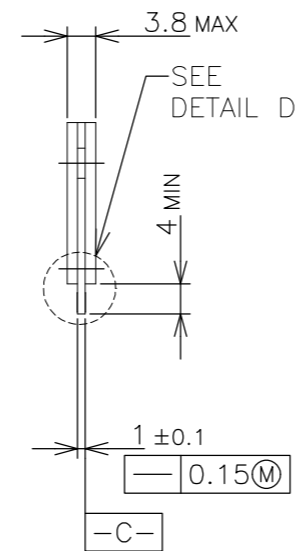
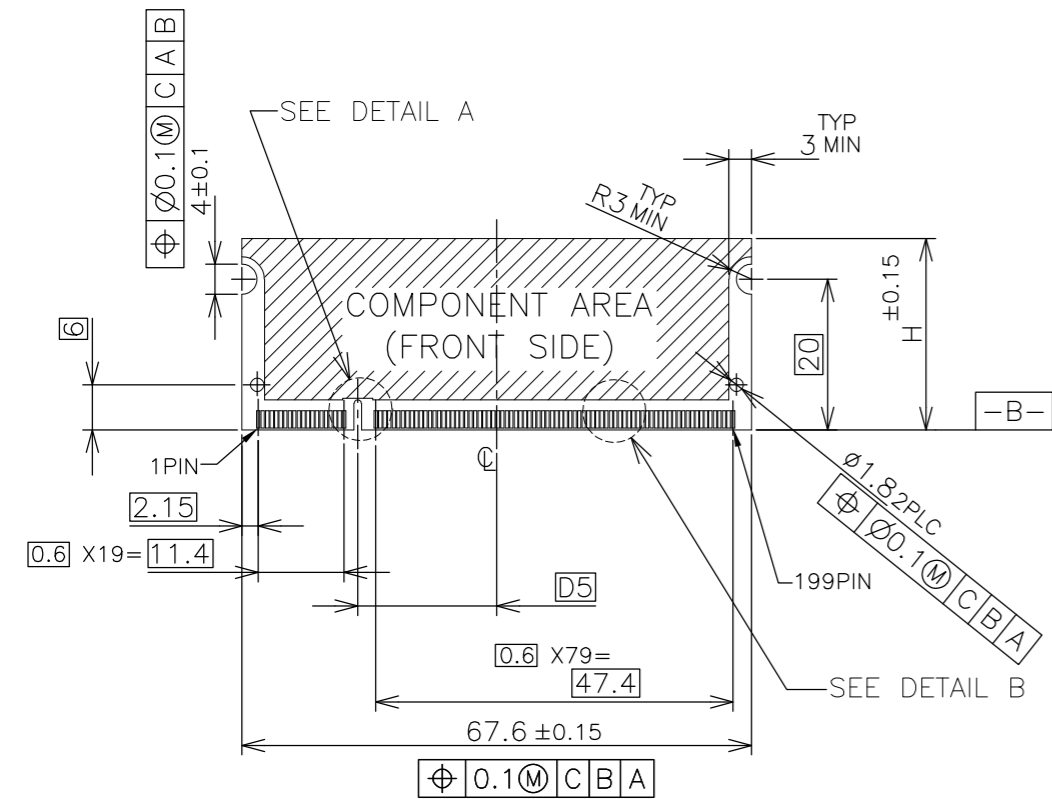


STD TYPE

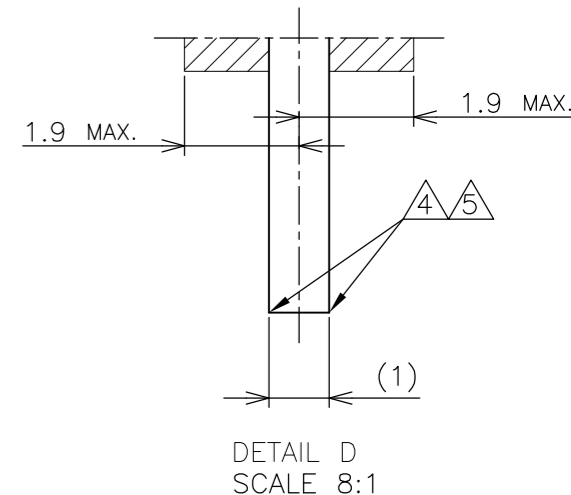
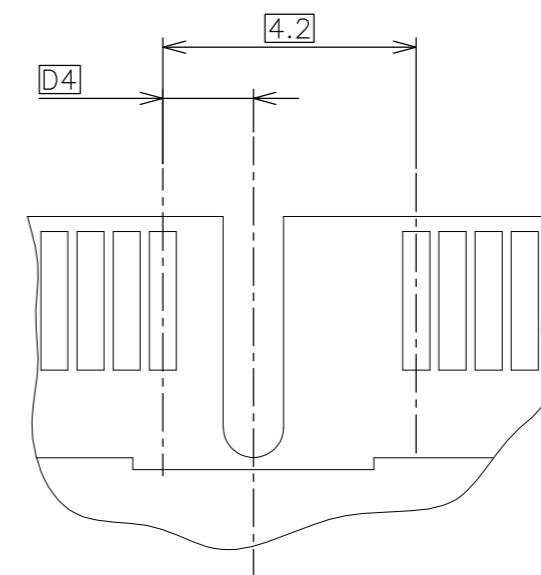
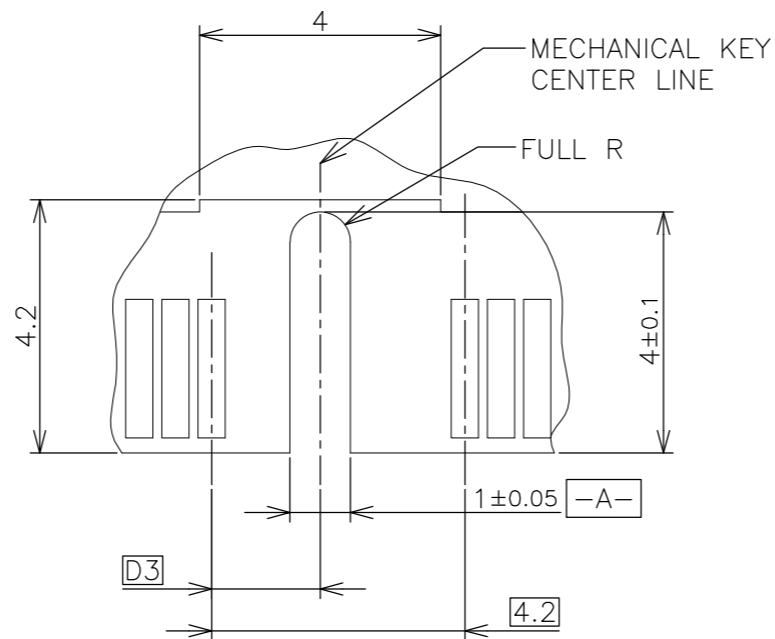
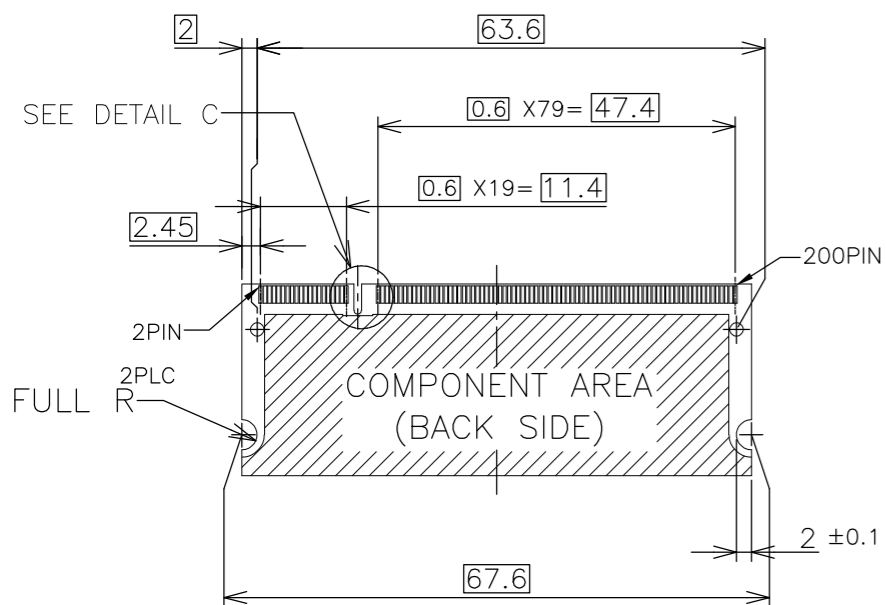
1.8V	17.55	2.4	2.7
POWER SUPPLY	D5	D4	D3

THIS DRAWING IS A CONTROLLED DOCUMENT.		DWN	Tyco Electronics Corporation Kawasaki, Japan	
DIMENSIONS: MM		CHK	NAME	
TOLERANCES UNLESS OTHERWISE SPECIFIED:		APVD	DDR SODIMM SOCKET 0.6mm PITCH 200POS 9.2H STD TYPE TO FIT AMC APPLICATIONS	
0 PLC ±		PRODUCT SPEC	SIZE	CAGE CODE
1 PLC ±		APPLICATION SPEC	A3	
2 PLC ±		WEIGHT	DRAWING NO	RESTRICTED TO
3 PLC ±		CUSTOMER DRAWING	G-1981284	
4 PLC ±			SCALE	SHEET
ANGLES ±			2:1	2 OF 4
FINISH ±			REV	B

LOC	DIST	REVISIONS			
P	LTR	DESCRIPTION	DATE	DWN	APVD
J	/	SEE SHEET 1	-	-	-



- (APPLIED TO SHEET 3)
- 1 TOLERANCES ON ALL DIMENSIONS ±0.15 UNLESS OTHERWISE SPECIFIED.
 - 2 P.C. BOARD THICKNESS APPLIES ACROSS TABS AND INCLUDES PLATING AND/OR METALIZATION.
 - 3 FINISH OF PAD : GOLD PLATING 0.00076 MIN. OVER Ni PLATING 0.002MIN.
- △ NO BURR.
- △ CHAMFER 0.25 MAX x 45° IF EXIST.



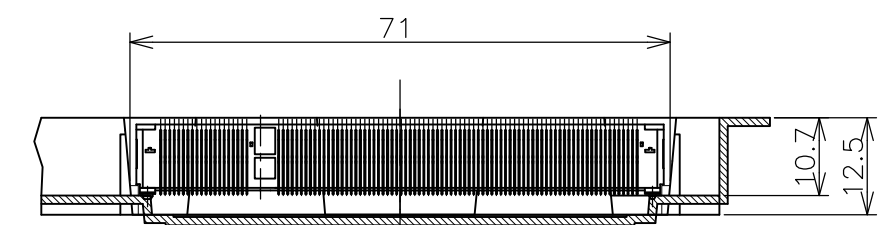
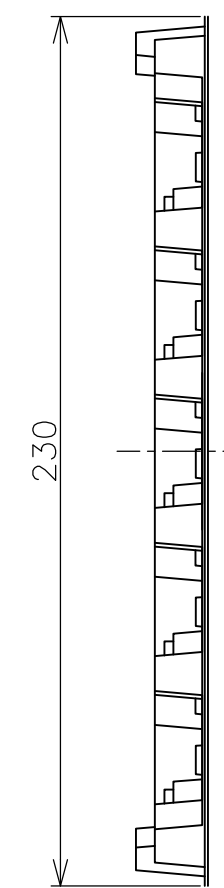
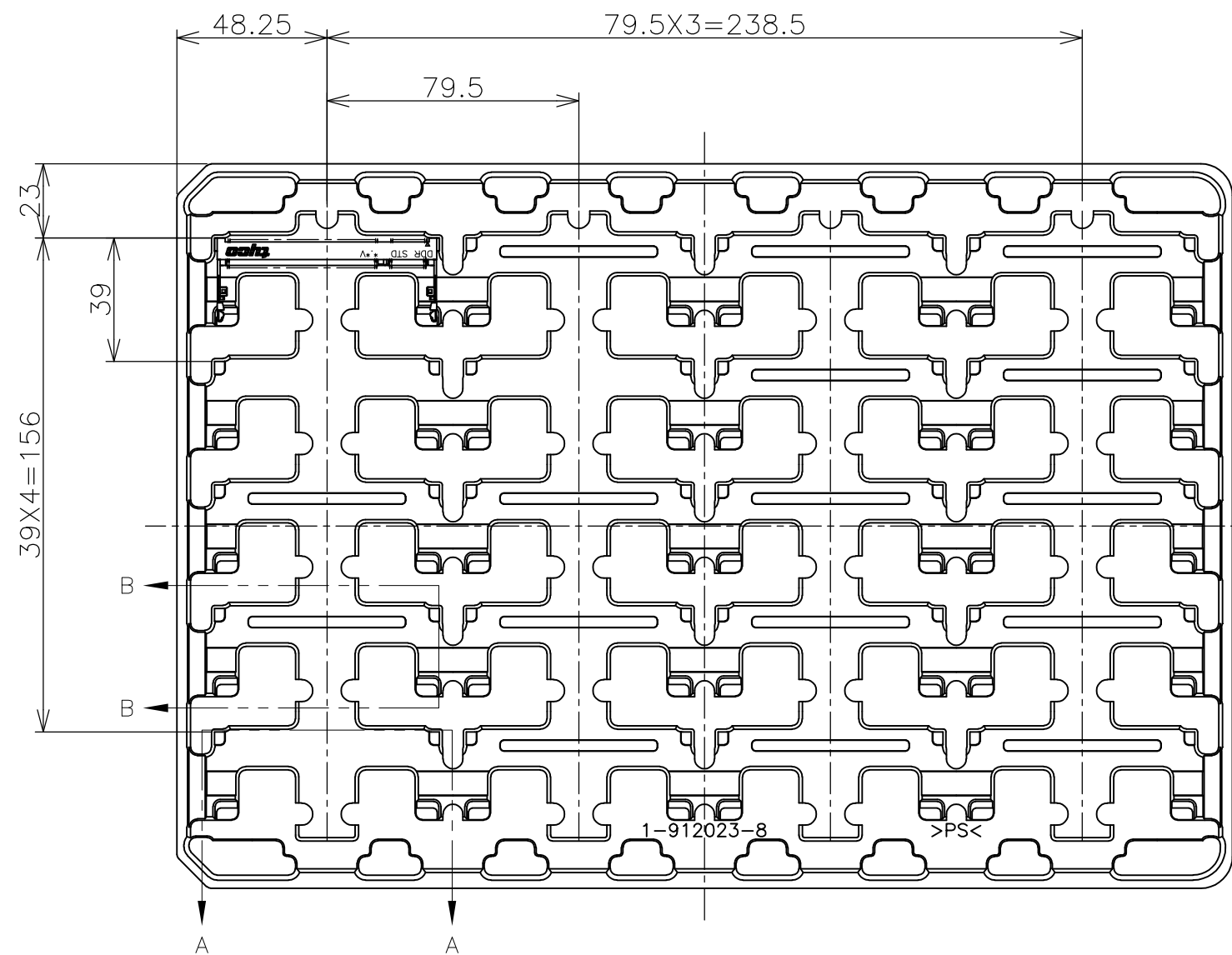
RECOMMENDED MATING P.C.B CONFIGURATION

THIS DRAWING IS A CONTROLLED DOCUMENT.		DWN
DIMENSIONS: MM		CHK
TOLERANCES UNLESS OTHERWISE SPECIFIED:		APVD
0 PLC	±	PRODUCT SPEC
1 PLC	±	APPLICATION SPEC
2 PLC	±	WEIGHT
3 PLC	±	CUSTOMER DRAWING
4 PLC	±	
ANGLES	±	
MATERIAL	FINISH	

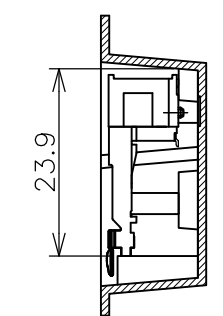
31.75	1.8V	17.55	2.4	2.7
25.4	POWER SUPPLY	D5	D4	D3
H	Tyco Electronics Corporation Kawasaki, Japan			
NAME DDR SODIMM SOCKET 0.6mm PITCH 200POS 9.2H STD TYPE TO FIT AMC APPLICATIONS				
SIZE	CAGE CODE	DRAWING NO	RESTRICTED TO	
A3		1981284		
SCALE 1:1		SHEET 3 OF 4		REV B

THIS DRAWING IS UNPUBLISHED. RELEASED FOR PUBLICATION MAR , 2007.
 © COPYRIGHT 2007 BY TYCO ELECTRONICS CORPORATION. ALL RIGHTS RESERVED.

LOC	DIST	REVISIONS			
P	LTR	DESCRIPTION	DATE	DWN	APVD
		SEE SHEET 1	-	-	-

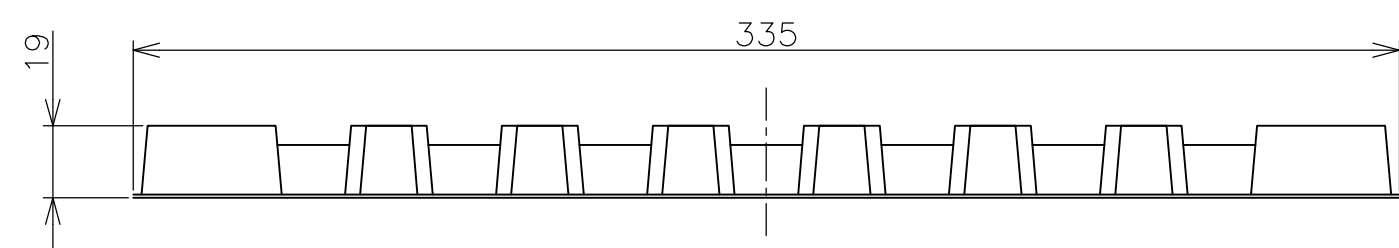


A-A
SCALE 1:1
(180DEG. ROTATE)



B-B
SCALE 1:1

- (APPLIED TO SHEET 4)
1. THE DIRECTION OF EACH CONNECTOR ON A TRAY IS REFERRED TO THIS DRAWING.
 2. GENERAL TOLERANCE: ±0.5



20EA/TRAY	1981284-4
QTY	P/N

THIS DRAWING IS A CONTROLLED DOCUMENT.		DWN	Tyco Electronics Corporation Kawasaki, Japan	
DIMENSIONS: MM		CHK		
TOLERANCES UNLESS OTHERWISE SPECIFIED:		APVD	NAME	
0 PLC ± 0.5		PRODUCT SPEC	DDR SODIMM SOCKET 0.6mm PITCH 200POS	
1 PLC ± 0.5		APPLICATION SPEC	9.2H STD TYPE	
2 PLC ± 0.5		WEIGHT	SIZE	RESTRICTED TO
3 PLC ± 0.5			A3	
4 PLC ± 0.5		DRAWING NO		
ANGLES ± 3'		C-1981284		
FINISH		SCALE 1:2		SHEET 4 OF 4
MATERIAL		CUSTOMER DRAWING		REV B